

CrushBox HDB-30V-E

World-First manual bending hard drive destroyer

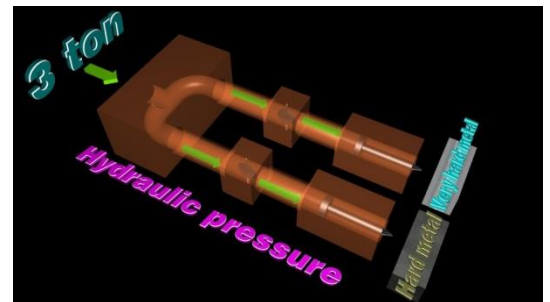
New Crush Box HDB-30V-E is the world-first manual hard disc drive physical destruction machine that can bend and mangle the hard drives and its internal components including the platters by two destruction shafts.

Complies with DoD, NSA & NIST Standard.

This is the world's most shipped HDD/SSD destroyer.



HDB-30V-E



Market : Offices, Medical, Army, server room and etc,



Main feature of HDB-30V-E

1 Manual operation

HDB-30V-E is manual destroyer. It is very convenient for small volume destruction in the office and on-site destruction service .

2 Bending and mangling

HDB-30V-E is the world-first manual destruction machine that can bend and punch hard disc drives and its internal components including data platters making two holes with 2 tons hydraulic power.

3 Portable

HDB-30V-E is portable machine that you can carry to anywhere with soft carry bag .

4 No power required

HDB-30V-E does not need electricity. It is very helpful for the on-site service at the customer.

HDB-30V-E destroys drives with two shafts

V Bend drives



HDB-30V-E is designed to conform the NSA guideline

Punch drives

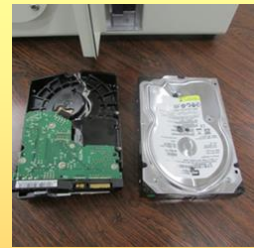


HDB-30V-E has two destruction shafts that can make two holes.

Destroy completely



3 tons pressure can destroy drives completely



Accessories

Soft carry bag



Adapter for CD/DVD/BLD/ZIP/MO/FD and 2.5 inch HDD



Adapter for SSD and 1,1.8 inch HDD HA-SSD-20V

CrushBox **NITTOH**

Hard Drive / Solid state drive Destroyer

Solid state drive Board
mSATA.M.2.CF.USB



New option adapter release

Screw driver

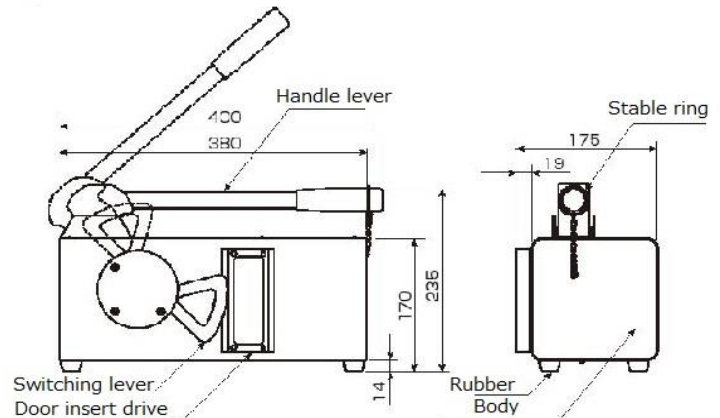


Dust brush



Specification

	Description
No of holes	2 holes and bending
Power technology	Ultra-high pressure HMC technology
Hydraulic power	3 tons
Electricity	No electricity is required
Size (W x H x D)	400X235X175mm (15.74X9.25X6.89 inch)
Weight	12Kgs (26lb)
Time of destruction	1 minute (15 times up and down handle lever)
Target media	3.5", 2.5" HDD, SSD.mSATA.M.2.USB etc
Market	Office, hospital, school, army, government



Manufactured by

Nittoh Zohki Co., Ltd.

585 Takashi-cho, Mobarashi, Chiba, 297-0029, JAPAN
TEL: 81-475-26-5361 <http://www.nittoh.co.jp/>

Local distributor